

- ✓ Easy and reliable mating operation by using auto-lock function.
- ✓ Highly reliable contact with I-PEX's unique W-point contact structure.
- ✓ Advanced one-action mating system compared to flip-type.

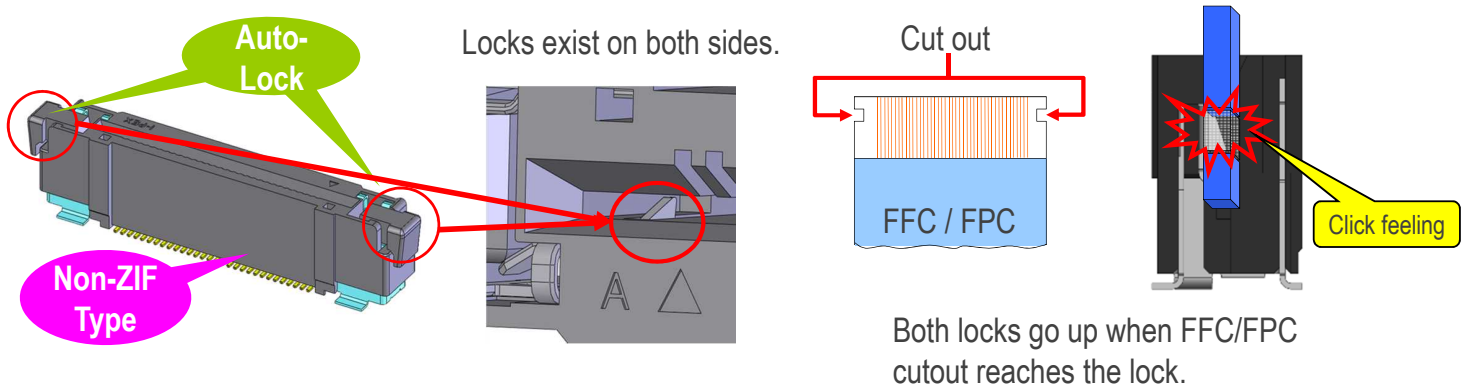
Pin counts:

Range	10 – 80
Available	16, 22, 24, 26, 30, 40, 45, 50, 60, 80

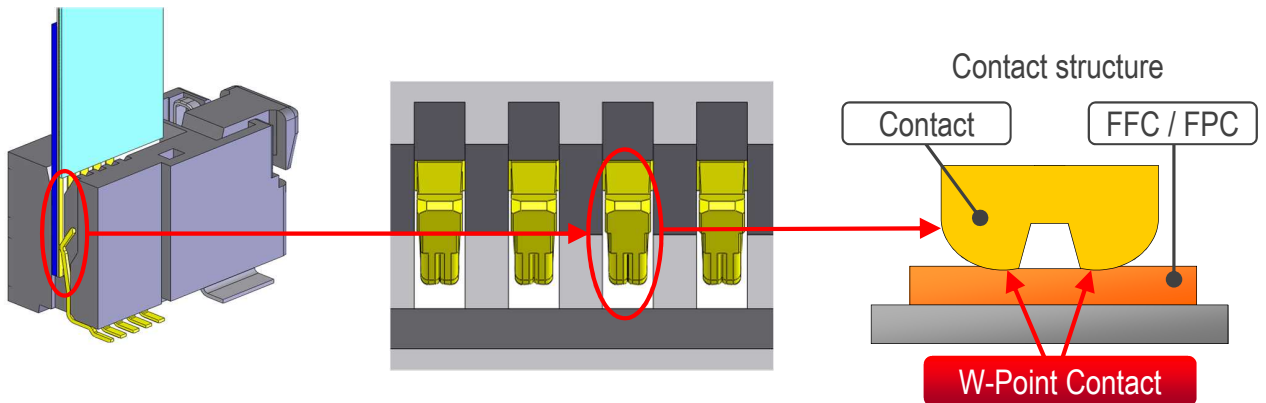
*Please inquire for pin counts not listed or outside of the pin count range.

Part number	20539
Board pitch (mm)	0.5
Height (mm)	6.0 +/- 0.3
Width formula (mm)	11.5+ (0.5*?P)
Depth(mm)	4.5
Wiping length(mm)	1.20
FFC/FPC insertion depth (mm)	4.2
FFC/FPC type	Non-shielded FFC/FPC
FFC/FPC thickness(mm)	0.3 +/- 0.05
Contact point	Single contact solder tail side
Compatibility (Footprint pattern)	Original
Current rating	0.5A/pin (7.5A/conn)
Supportable standard (Reference only)	LVDS
Operating condition	233-358 (-40°C-85°C) 85%RH max.

Easy and Reliable Mating Operation by Using Auto-Lock Function

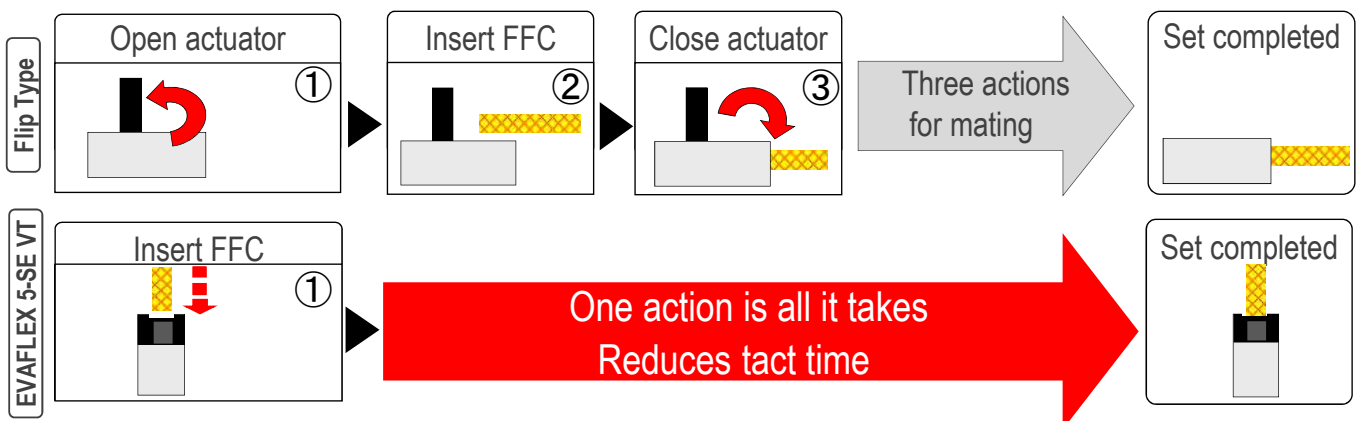


Highly Reliable by Using I-PEX's Unique W-Point Contact Structure



I-PEX W-Point contact prevents poor contact with foreign particles between a contact and FFC/FPC conductor. Provides better contact reliability than typical single point contact designs.

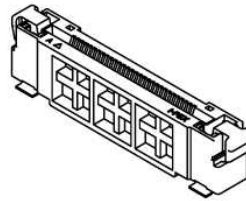
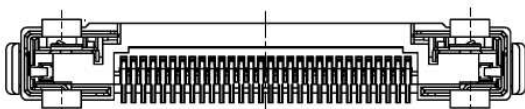
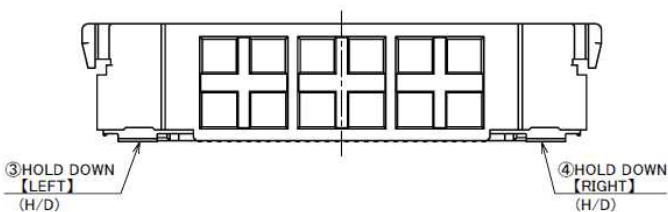
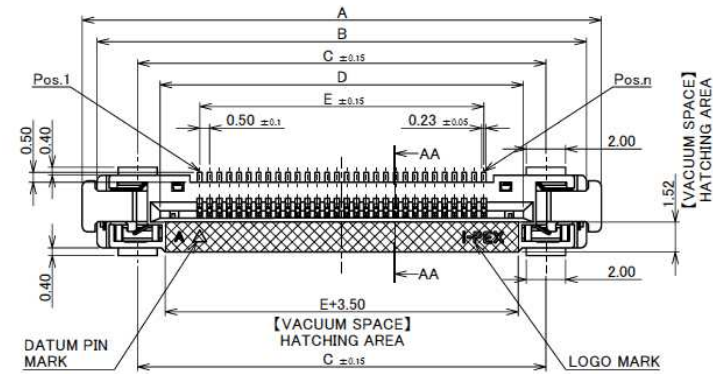
Advanced One-Action Mating System Compared to Flip-Type



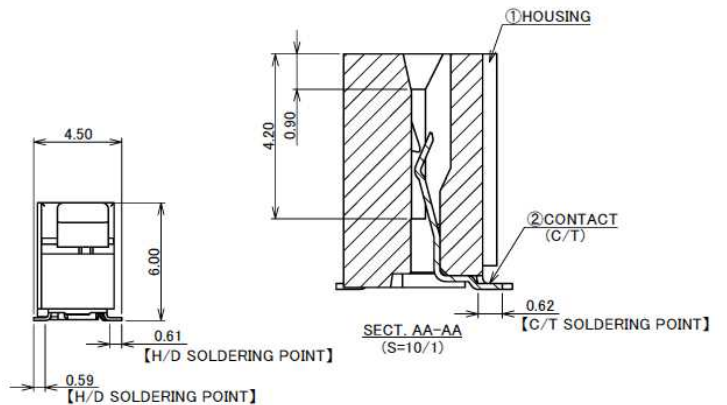
EVAFLEX® 5-SE-VT

Component Parts Detail

Connector Assembly :



Recommended P/N		20539-0**E-01				
PART NO.	Pos.	A	B	C	D	E
20539-016E-01	16	19.50	17.98	13.84	11.56	7.50
20539-022E-01	22	22.50	20.98	16.84	14.56	10.50
20539-024E-01	24	23.50	21.98	17.84	15.56	11.50
20539-026E-01	26	24.50	22.98	18.84	16.56	12.50
20539-030E-01	30	26.50	24.98	20.84	18.56	14.50
20539-040E-01	40	31.50	29.98	25.84	23.56	19.50
20539-045E-01	45	34.00	32.48	28.34	26.06	22.00
20539-050E-01	50	36.50	34.98	30.84	28.56	24.50
20539-060E-01	60	41.50	39.98	35.84	33.56	29.50
20539-080E-01	80	51.50	49.98	45.84	43.56	39.50

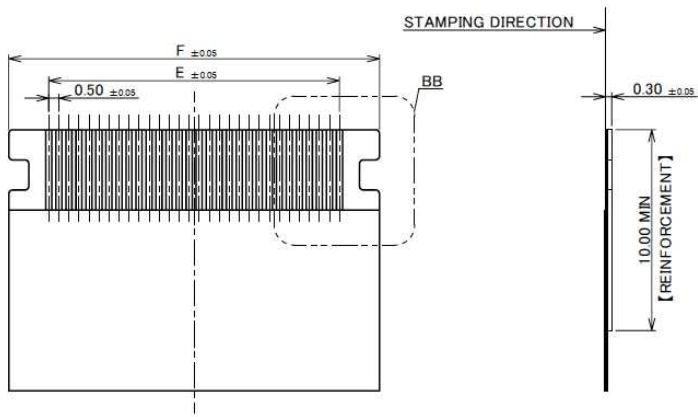


NO.	DISCRIPTION	MATERIAL	FINISH , REMARKS
4	HOLD DOWN [RIGHT]	PHOSPHOR BRONZE	Sn 2.00 μm MIN. OVER Ni 1.00 μm MIN.
3	HOLD DOWN [LEFT]	PHOSPHOR BRONZE	Sn 2.00 μm MIN. OVER Ni 1.00 μm MIN.
2	CONTACT	PHOSPHOR BRONZE	Au 0.03 μm MIN. OVER Ni 1.00 μm MIN.
1	HOUSING	LCP	UL94V-0, BLACK

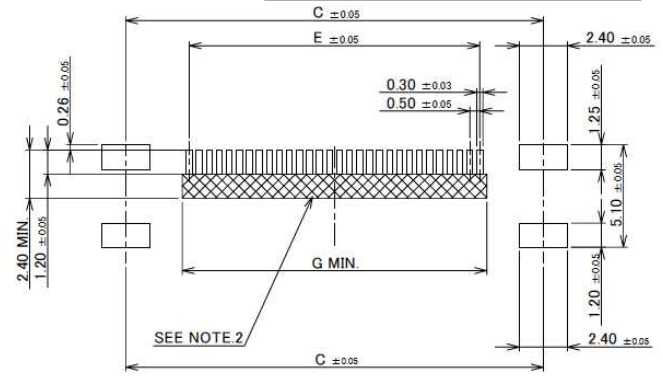
QKE-DFFDE06-02 REV.11

Connector Assembly :

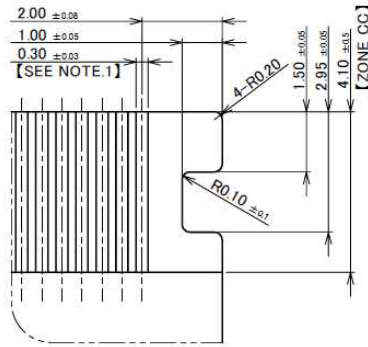
PART NO.	Pos.	C	E	F	G
20539-016E-01	16	13.84	7.50	11.50	8.20
20539-022E-01	22	16.84	10.50	14.50	11.20
20539-024E-01	24	17.84	11.50	15.50	12.20
20539-026E-01	26	18.84	12.50	16.50	13.20
20539-030E-01	30	20.84	14.50	18.50	15.20
20539-040E-01	40	25.84	19.50	23.50	20.20
20539-045E-01	45	28.34	22.00	26.00	22.70
20539-050E-01	50	30.84	24.50	28.50	25.20
20539-060E-01	60	35.84	29.50	33.50	30.20
20539-080E-01	80	45.84	39.50	43.50	40.20



RECOMMENDED FPC/FFC LAYOUT



RECOMMENDED PCB LAYOUT & METAL MASK LAYOUT
METAL MASK THICKNESS : t=0.12mm



DETAIL BB
(S=10//1)

- NOTES.
- CONTROL DIMENSION OF [ZONE CC] WITHIN 0.30±0.03.
 - SOLDER RESIST SHALL BE COATED IN CASE OF RUNNING TRACES ON THIS FOOTPRINT PATTERN PROHIBITION AREA.

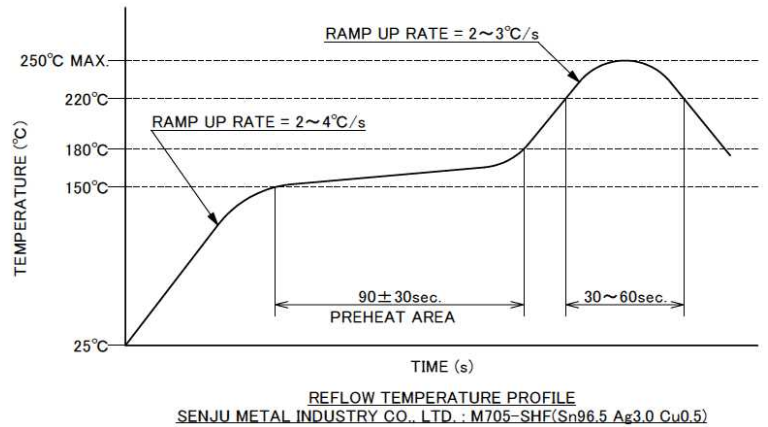
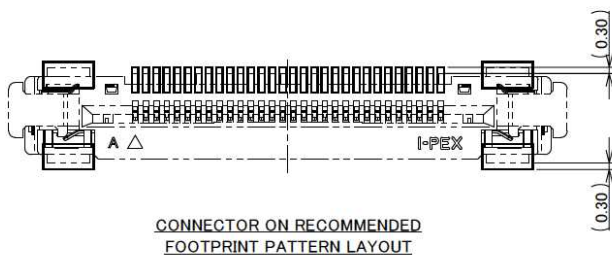
QKE-DFE06-02 REV.11

Connector Assembly :

ITEMS	SPECIFICATION
RATING VOLTAGE	50V AC/DC (PER A CONTACT)
RATING AMPERAGE (AVAILABLE UP TO 15PIN)	0.50A AC/DC (PER A CONTACT)
RATING AMPERAGE (AVAILABLE FOR ALL PIN)	0.35A AC/DC (PER A CONTACT)
OPERATING TEMPERATURE	233~358K(-40°C~+85°C)
OPERATING HUMIDITY	85%R.H. MAX.
CONTACT RESISTANCE	INITIAL : 70mohm MAX. / AFTER TEST : \triangle40mohm MAX.
INSULATION RESISTANCE	500Mohm MIN.
DIELECTRIC WITHSTANDING VOLTAGE	AC250V 1min
DURABILITY	30 CYCLES
MATING FORCE (INITIAL / 30 CYCLES)	16P: 9.6N MAX., 22P: 13.2N MAX., 24P: 14.4N MAX., 26P: 15.6N MAX., 30P: 18.0N MAX., 40P: 24.0N MAX., 45P: 27.0N MAX., 50P: 30.0N MAX., 60P: 36.0N MAX., 80P: 48.0N MAX.
UNMATING FORCE (INITIAL / 30 CYCLES)	16P: 1.44N MIN., 22P: 1.98N MIN., 24P: 2.16N MIN., 26P: 2.34N MIN., 30P: 2.70N MIN., 40P: 3.60N MIN., 45P: 4.05N MIN., 50P: 4.50N MIN., 60P: 5.40N MIN., 80P: 7.20N MIN.
FPC/FFC RETENTION FORCE	25.0N MIN.
COPLANARITY	0.10mm MAX.
PRODUCT SPECIFICATION	PRS-1620
TEST REPORT	TR-12047
PACKING STANDARD	300-967
INSTRUCTION MANUAL	HIM-11002

QKE-DFE06-02 REV.11

Connector Assembly :



QKE-DFFDE06-02 REV.11



© DAI-ICHI SEIKO Co., Ltd. 2018. All rights reserved.

I-PEX is a trademark of DAI-ICHI SEIKO Co., Ltd. All other trademarks are owned by their respective companies. Please be noted that the contents in the catalog might be changed without prior notification. DAI-ICHI SEIKO Co., Ltd., assumes no responsibility for any inaccuracies or obligation to update Information on these documents. Please be sure to read and understand correctly the latest "Precautions for Use" and "Instruction Manual" before you use our products. We shall not be responsible for any defects, damages or troubles in case you use our products with not following the precautions for use. Please feel free to contact our sales representatives preliminarily when you use our products for any applications which require quite high reliability and safety, or which relate to human life. (ex. Nuclear power control, Aerospace, Transportation, Medical equipment, Safety equipment etc.)

www.i-pex.com

Contact your sales representative for more detailed information.

201810R0