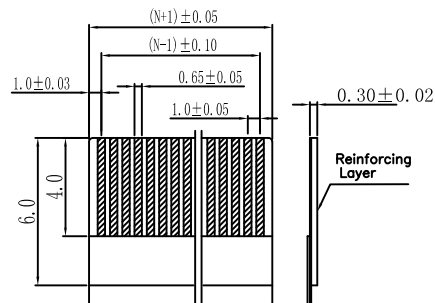
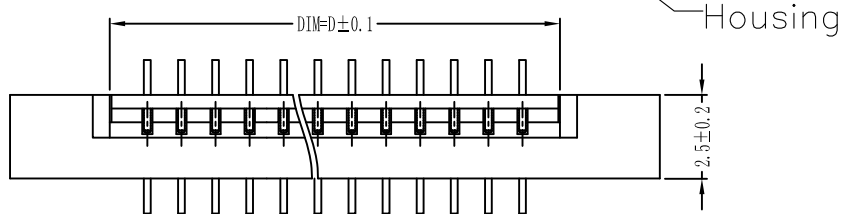


PCB LAYOUT



RECOMMENDED FFC/FPC DIM.

Order information

Z913-nn-1PTO

- O=Option
- T=Packing
- P=Plating
- 1=Reel
- 2=Tube
- 11=Tin 1um
- 21=Au Gold Flash
- 24=Au 10u"
- 1=Contact Type 1=Single Contact
- nn=No. of Positions 04...50

Material:

- 1.1 Housing: thermoplastic high temp. UL94V-0; Color: Natural.
- 1.2 Latch: thermoplastic high temp. UL94V-0; Color: Black.
- 1.3 Terminal: Copper Alloy.

PIN NO.	DIM. A	DIM. B	DIM. C	DIM. D
4~N~40	N+5.0	N-1.0	N+7.0	N+1.1

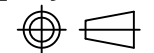


Title:
1.0mm ZIF FPC CONNECTOR
SMT VERTICAL TYPE

units	size	scale	sheet	part no:
mm	A4	1:1	1-1	Z913-nn-1-1PTO
				dwg no: Z913-nn-1-1PTO

app.	Kobe	tolerances	
		linear	angles
chk.	Eason	.x ±0.20	x.° ±5°
drawn.	Juilet	.xx ±0.15	.x° ±2°
date.	2013-02-01	.xxx ±0.10	.xx° ±1°

projection



revision

A