

**Front ZIF Type
85°C**

TECHNICAL CHARACTERISTICS

1. General Characteristics

Dimension: Please see the spec sheet
 FPC/ FFC thickness: 0.30±0.03 mm
 Operation: Horizontal, Bottom Contact Type
 Mounting System: SMT Type
 Durability: 30 cycles min.
 Pitch: 0.50 mm

2. Mechanical Characteristics

Insulation material: Thermoplastic, UL 94V-0

RoHS Directive 2011/65/EU Compliant

3. Electrical Characteristics

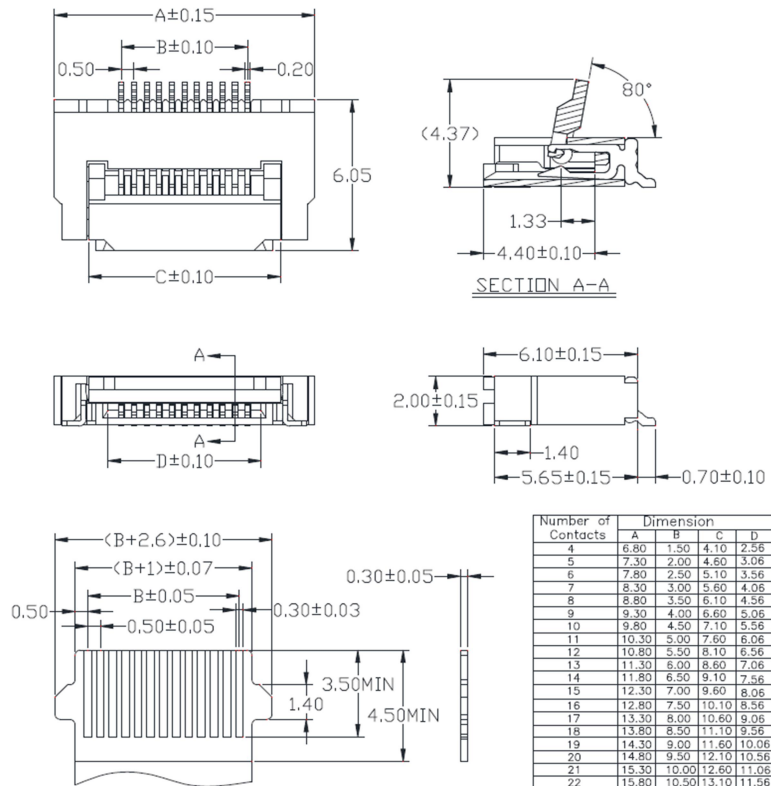
Number of contacts: 4 ~ 60 pins
 Contact resistance: 50 mΩ max.
 Insulation resistance: 500 MΩ / 500 VDC

4. Solderability

Wave: Not applicable
 IR reflow: 260°C, 10 sec. Max.
 Manual soldering: 360°C, 3 sec. Max.

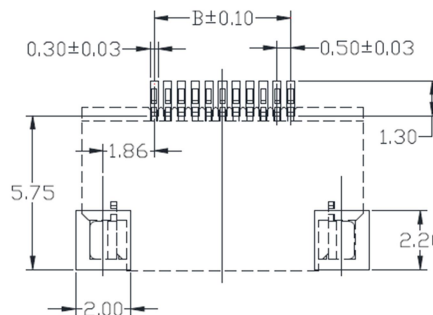
5. Environmental Characteristics

Operating temperature: - 25°C ~ + 85°C
 Operating humidity: 85 % RH Max.
 Storage temperature: - 40°C ~ + 85°C
 Storage humidity: 85 % RH Max.



Number of Contacts	Dimension			
	A	B	C	D
4	6.80	1.50	4.10	2.56
5	7.30	2.00	4.60	3.06
6	7.80	2.50	5.10	3.56
7	8.30	3.00	5.60	4.06
8	8.80	3.50	6.10	4.56
9	9.30	4.00	6.60	5.06
10	9.80	4.50	7.10	5.56
11	10.30	5.00	7.60	6.06
12	10.80	5.50	8.10	6.56
13	11.30	6.00	8.60	7.06
14	11.80	6.50	9.10	7.56
15	12.30	7.00	9.60	8.06
16	12.80	7.50	10.10	8.56
17	13.30	8.00	10.60	9.06
18	13.80	8.50	11.10	9.56
19	14.30	9.00	11.60	10.06
20	14.80	9.50	12.10	10.56
21	15.30	10.00	12.60	11.06
22	15.80	10.50	13.10	11.56
23	16.30	11.00	13.60	12.06
24	16.80	11.50	14.10	12.56
25	17.30	12.00	14.60	13.06
26	17.80	12.50	15.10	13.56
27	18.30	13.00	15.60	14.06
28	18.80	13.50	16.10	14.56
29	19.30	14.00	16.60	15.06
30	19.80	14.50	17.10	15.56
31	20.30	15.00	17.60	16.06
32	20.80	15.50	18.10	16.56
n	6.80+(n-4)*0.5	1.50+(n-4)*0.5	4.10+(n-4)*0.5	2.56+(n-4)*0.5

Unit: mm; Tolerances: ±0.15 mm
Mechanical outline dimension



Unit: mm; Tolerances: ±0.05 mm
Reference dimension for PCB layout

FPC / FFC Connector

Model No.: FFC-A55 Type3

Rev. 0.9

Date: Jul.25, 2019