

USB 3.2 Gen2 – active optical Type-C Cable for max Length 5m Superspeed Datarate 10Gbit/sec



Features

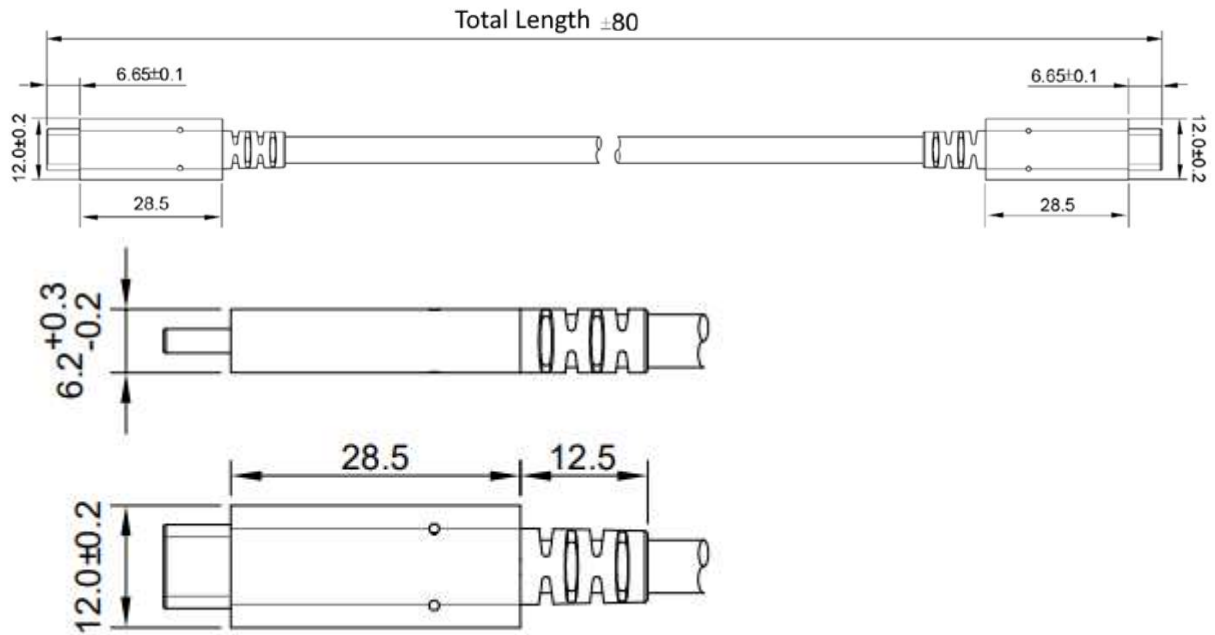
- Compliant with USB 3.2 Gen2 and backwards compatible with USB 3.1 Gen1 and USB 2.0
- Length up to 5m
- Datarate up to 10Gbit/sec
- Displayport Alt-Mode 8K/60Hz
- Fast Charging 3A/20V/60W

- Customization possible

Applications

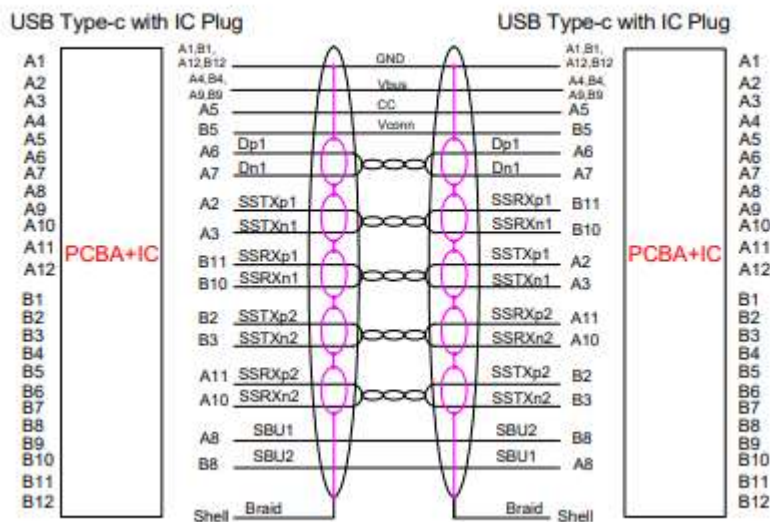
- Industrial PC
- Cameras + Vision Systems
- Docking stations
- Desktop, Tablets, and Mobile Phones
- Gaming consoles, Smart TVs

Physical Drawing



Connection

CONNECTION



Specification

Supported USB	USB3.1 Gen1 + USB3.1Gen2 + USB3.2 Gen1 + USB3.2 Gen2 USB2.0	
Supported Displayport	8K/60Hz in DP-Alt-Mode	
Maximum Data Rate	10Gbps	
Supported Cable Length	Custom; max. 5m	
O.D.	5.3mm	
Cable Type	Active USB-C Cable	
Cable Jacket	TPE	
Cable Color	Black	
Plugs	A: USB-C Male, Nickel Plated	B: USB-C Male , Nickel Plated
Housings	A: PVC overmold	B: PVC overmold
Power Source	Bus powered; no external power	
Output Current and Voltage	3A/20V/60W	
Compliance	RoHS/ Reach/ CE/ FCC	
Certifications	UL Production	
Flameability	UL94-VW1, Material with UL-File No.	
Standard Package	Bulk	
Production Standard	ISO9001+ISO14001+IATF16949	

How to order

TCC05-xxxxx <-> xxxxx = total Length in mm

Partnumber	Description
TCC05-xxxxx	xxxxx = Total Length in mm
TCC05-02000	Total Length = 2.000 mm
TCC05-03000	Total Length = 3.000 mm
TCC05-04000	Total Length = 4.000 mm
TCC05-05000	Total Length = 5.000 mm

Please contact us for customization

Available Options

- Custom length
- Custom connector
- Custom label on Cable
- Custom label on Packing
- Colour

DisplayPort™ and the DisplayPort™ logo are trademarks owned by the Video Electronics Standards Association (VESA®) in the United States and other countries.

USB Type-C® and USB-C® are registered trademarks of USB Implementers Forum.