

USB 3.0 - 5Gbit/sec Type-A-Plug to Micro-B Cable for max Length 1,85m



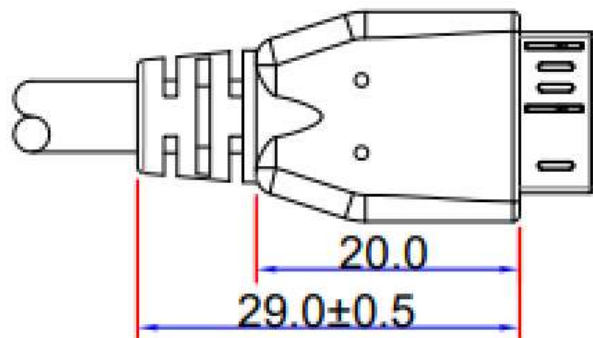
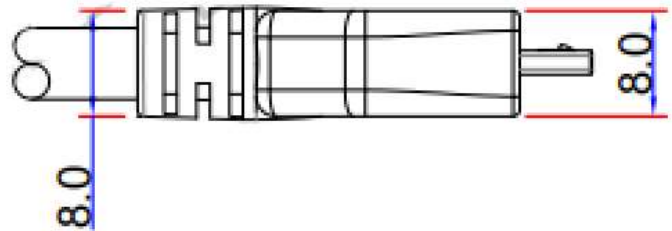
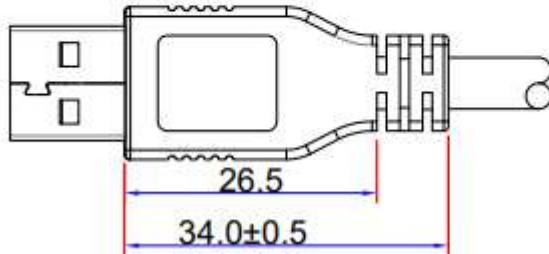
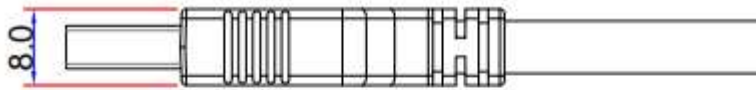
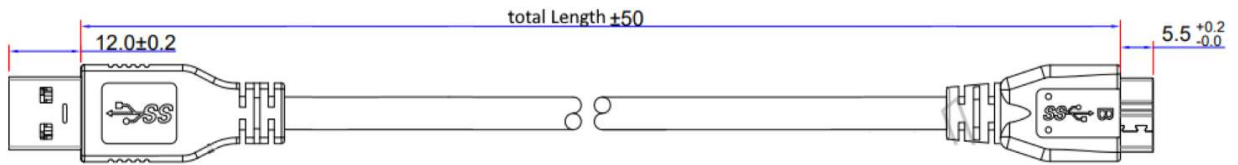
Features

- Compliant with USB 3.0
- Length up to 1,85m
- Datarate up to 5Gbit/sec
- Cable resistance 3 Ω
- Customization possible

Applications

- Industrial PC
- Cameras + Vision Systems
- Docking stations
- Desktop, Tablets, and Mobile Phones
- Gaming consoles, Smart TVs

Physical Drawing



Specification

Supported USB	USB3.0 USB2.0	
Supported Displayport	No	
Maximum Data Rate	5Gbps	
E-Mark	No	
Supported Cable Length	Custom; max. 1,85m	
O.D.	5.5mm	
Cable Type	USB-C Cable	
Cable Jacket	PVC	
Cable Color	Black	
Plugs	A: USB-A Plug, Nickel Plated	B: USB-Micro-B, Nickel Plated
Housings	A: PVC overmold	B: PVC overmold
Conductive Resistance	3Ω	
Output Current and Voltage	n/a	
Compliance	RoHS/ Reach/ CE/ FCC	
Certifications	UL Production	
Flameability	UL94-VW1, Material with UL-File No.	
Standard Package	Bulk	
Production Standard	ISO9001+ISO14001+IATF16949	

How to order

TAM01-xxxxx <-> xxxxx = total Length in mm

Partnumber	Description
TAM01-xxxxx	xxxxx = Total Length in mm
TAM01-00500	Total Length = .500 mm
TAM01-01000	Total Length = 1.000 mm
TAM01-01100	Total Length = 1.100 mm

Please contact us for customization

Available Options

- Custom length
- Custom connector
- Custom label on Cable
- Custom label on Packing
- Colour

DisplayPort™ and the DisplayPort™ logo are trademarks owned by the Video Electronics Standards Association (VESA®) in the United States and other countries.

USB Type-C® and USB-C® are registered trademarks of USB Implementers Forum.