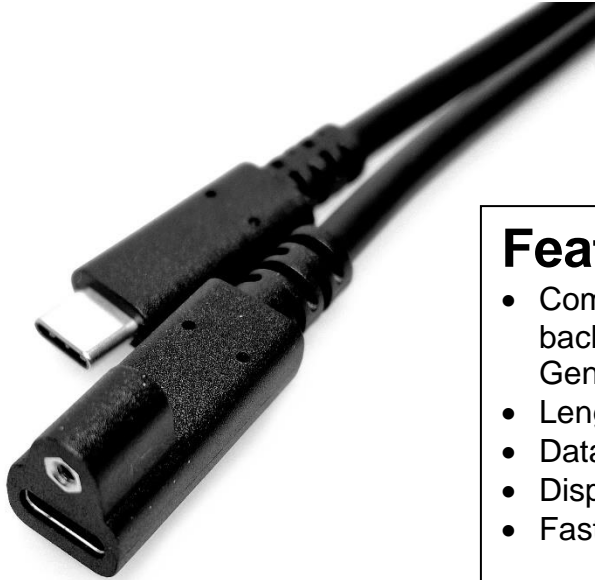


# USB 3.2 5Gbit 60W Type-C Extension Type-C female 1xThread to Type-C-m



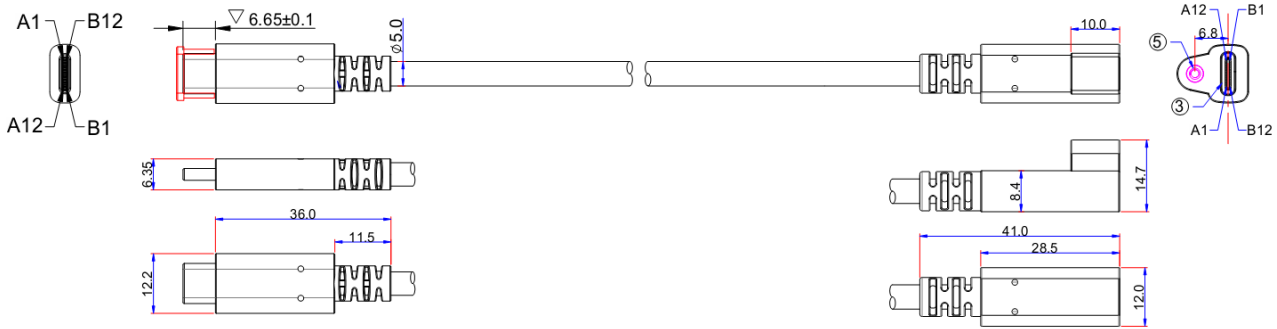
## Features

- Compliant with USB 3.2 Gen1 and backwards compatible with USB 3.1 Gen1 and USB 2.0
- Length up to 1000mm
- Datarate up to 5Gbit/sec
- Displayport Alt-Mode 4K/60Hz
- Fast Charging 3A/20V/60W
  
- Customization possible

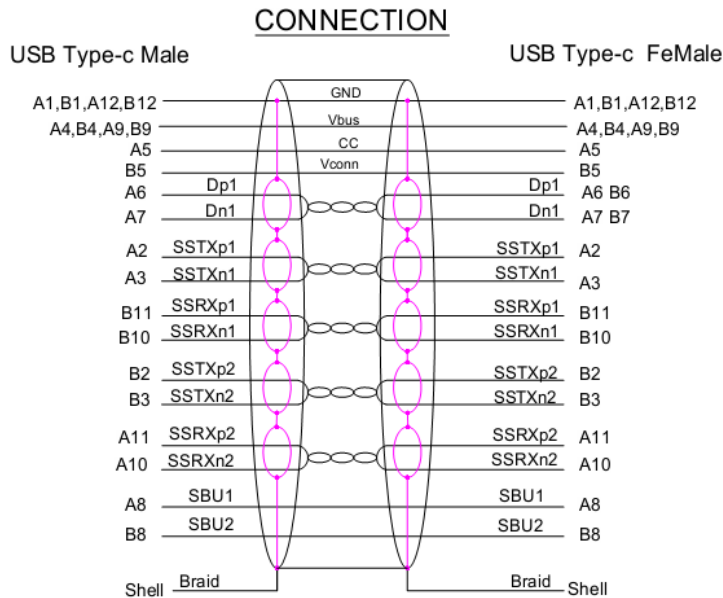
## Applications

- Industrial PC
- Cameras + Vision Systems
- Docking stations
- Desktop, Tablets, and Mobile Phones
- Gaming consoles, Smart TVs

# Physical Drawing



# Connection



# Specification

Supported USB	USB3.1 Gen1 + USB3.2 Gen1 USB2.0	
Supported Displayport	4K/60Hz in DP-Alt-Mode	
Maximum Data Rate	5Gbps	
E-Mark	Yes	
Supported Cable Length	Custom; max. 1000mm	
O.D.	5.0mm	
Cable Type	USB-C Cable	
Cable Jacket	PVC	
Cable Color	Black	
Plugs	A: USB Type-C female 1xThread	B: USB-C Male, Nickel Plated
Housings	A: PVC overmold	B: PVC overmold
Conductor Resistance	3Ω	
Output Current and Voltage	3A/20V/60W	
Compliance	RoHS/ Reach/ CE/ FCC	
Certifications	UL Production	
Flameability	UL94-VW1, Material with UL-File No.	
Standard Package	Bulk	
Production Standard	ISO9001+ISO14001+IATF16949	

# How to order

TCC292-xxxxx <-> xxxxx = total Length in mm

TCC292-xxxxx	xxxxx = Total Length in mm
TCC292-01000	Total Length = 1000 mm
TCC292-00500	Total Length = 500 mm

## Please contact us for customization

### Available Options

- Custom Length
- Custom Connector
- E-Mark
- Custom Label on Cable
- Custom Label on Packing
- Other raw cable
- Colour

*DisplayPort™ and the DisplayPort™ logo are trademarks owned by the Video Electronics Standards Association (VESA®) in the United States and other countries.*

**USB Type-C® and USB-C® are registered trademarks of USB Implementers Forum.**