

# Type-C-USB-A-m Adapter to USB-C-m Cable USB 3.2 10Gbit 15W

## Features

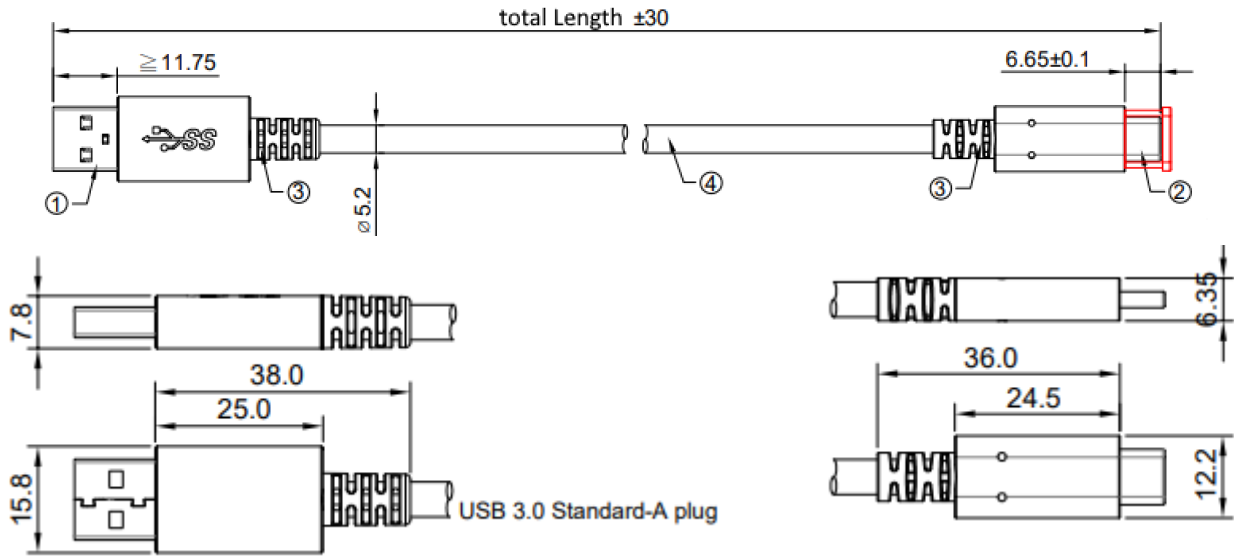
- Compliant with USB 3.2Gen2 and USB3.2Gen1
- Backward compatible with USB 3.1+ USB 2.0
- Data rate up to 10 Gbit/sec
- 3A/5V/15W charging
- Length max. 1000mm



## Applications

- Industrial PC
- Cameras + Vision Systems
- Docking stations
- Desktop, Tablets, and Mobile Phones
- Gaming consoles, Smart TVs

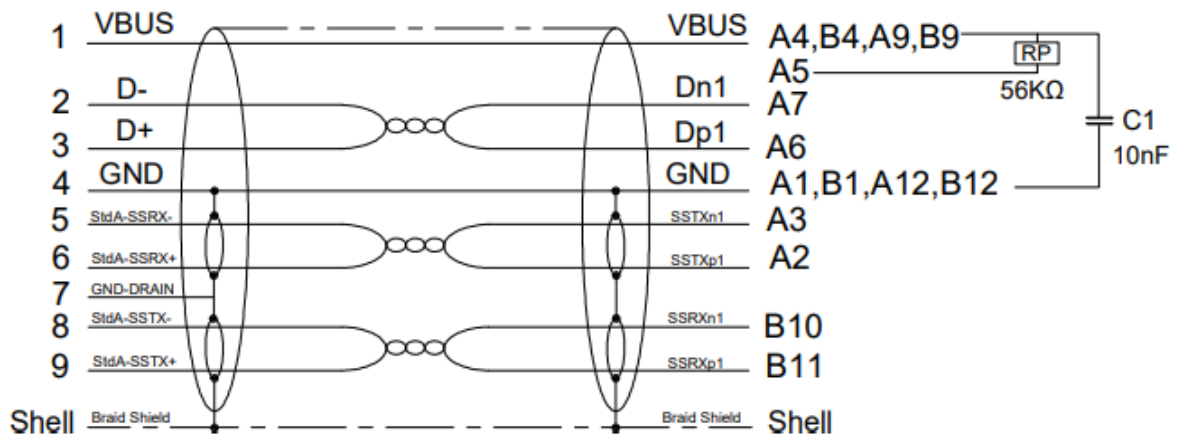
# Physical Drawing



# Connection

USB 3.0 Standard-A plug

USB Type-C Plug



# Specification

Supported USB	USB2.0 + USB3.1 Gen1 + USB3.1 Gen2 + USB3.2 Gen1 + USB3.2 Gen2	
Supported DisplayPort™	Not supported	
Maximum Data Transfer Rate	10Gb/sec	
Output Current and Voltage	3A/5V/15W	
Wire AWG	AWG 23 for VBUS and GND	
E-Mark	w/o E-Mark	
Supported Cable Length	1m	
O.D.	5,2mm	
Cable Type	UL2725	
Cable Jacket	PVC	
Cable Color	Black	
Plugs	A: USB-A Male, Nickel Plated	B: USB-C Male , Nickel Plated
Housings	A: PVC Colour: black	B: PVC Color: black
Compliance	RoHS/ Reach/ CE/ FCC	
Certifications	UL Production	
Flameability	UL registered Material UL94-VW1 / UL94-V0	
Standard Package	Bulk	
Production Standard	ISO14001 ISO9001 IATF16949	

## How to order

TCA02-xxxxx <-> xxxxx = total Length in mm

TCA02-xxxxx	xxxxx = Total Length in mm
TCA02-01000	Total Length = 1000 mm
TCA02-00500	Total Length = 500 mm

## Please contact us for customization

### Available Options

- Custom Length
- Custom Connector
- E-Mark
- Custom Label on Cable
- Custom Label on Packing
- Other raw cable
- Colour

*DisplayPort™ and the DisplayPort™ logo are trademarks owned by the Video Electronics Standards Association (VESA®) in the United States and other countries.*

**USB Type-C® and USB-C® are registered trademarks of USB Implementers Forum.**