

Type-C-USB-A-m to Type-C-m Charging Cable 15W USB 2.0 480Mbit 15W



Features

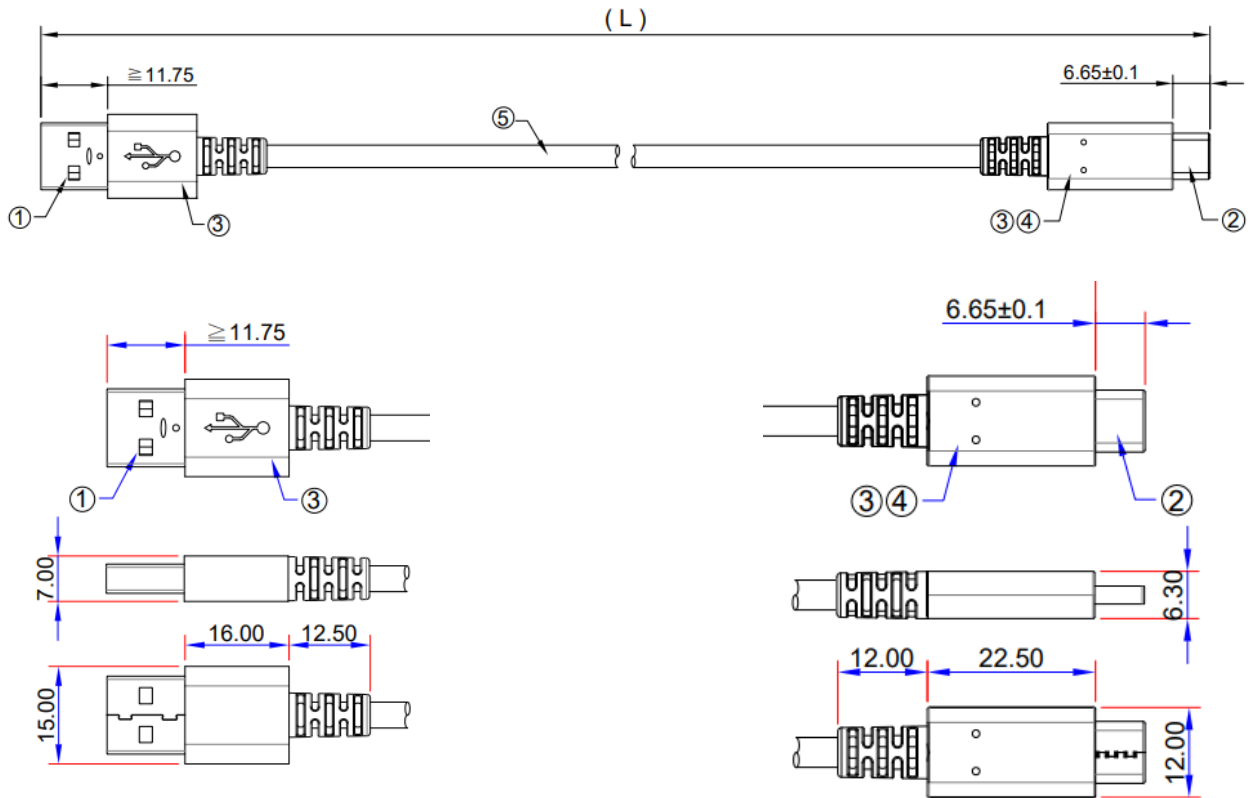
- USB-A to Type-C Fast Charging Cable
- Compatible with USB 2.0
- Length up to 3m
- Fast Charging 3A/5V/15W
- Max Length 3m
- Customisation possible



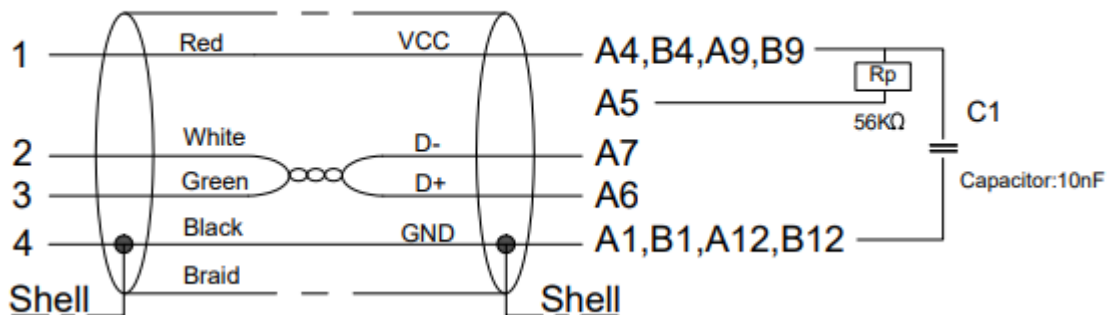
Applications

- Industrial PC
- Cameras + Vision Systems
- Docking stations
- Desktop, Tablets, and Mobile Phones
- Gaming consoles, Smart TVs

Physical Drawing



Connection

USB type A conn.
USB Type-c conn.


Specification

Supported USB	USB2.0	
Supported Displayport	Not supported	
Maximum Data Rate	480Mbps	
E-Mark	No	
Supported Cable Length	Custom; max. 3,0m	
O.D.	4.0mm	
Cable Type	USB-C Cable	
Cable Jacket	PVC	
Cable Color	Black	
Plugs	A: USB-A Male, Nickel Plated	B: USB-C Male, Nickel Plated
Housings	A: PVC	B: PVC
Wire AWG	AWG22 for VCC and GND	
Output Current and Voltage	3A/5V/15W	
Compliance	RoHS/ Reach/ CE/ FCC	
Certifications	UL Production	
Flameability	UL94-V0	
Standard Package	Bulk	
Production Standard	ISO9001+ISO14001+IATF16949	

How to order

TCA01-xxxxx <-> xxxxx = total Length in mm

Partnumber	Description
TCA01-xxxxx	xxxxx = Total Length in mm
TCA01-00500	Total Length = .500 mm
TCA01-01000	Total Length = 1.000 mm
TCA01-03000	Total Length = 3.000 mm

Please contact us for customization

Available Options

- Custom length
- Custom connector
- Custom label on Cable
- Custom label on Packing
- Colour
- Length >3m

DisplayPort™ and the DisplayPort™ logo are trademarks owned by the Video Electronics Standards Association (VESA®) in the United States and other countries.

USB Type-C® and USB-C® are registered trademarks of USB Implementers Forum.