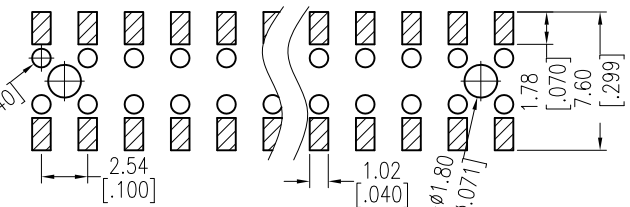
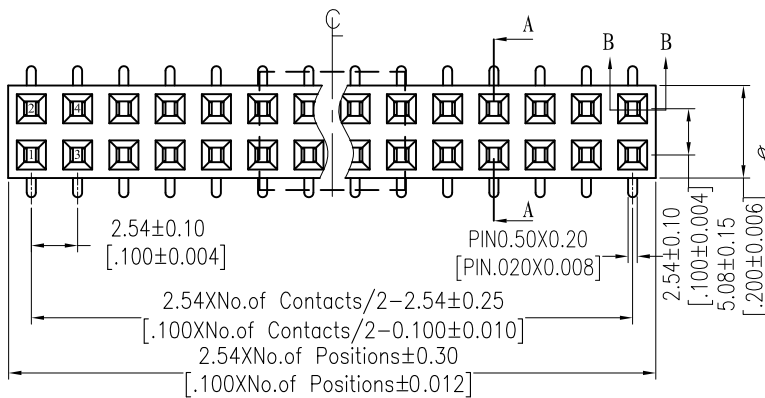
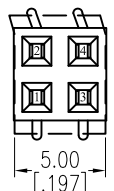


RoHS compliant

REVISION DATA				
SYM	ECN	DESCRIPTION	DATE	APPROVED
A1	130709	CAP 4.3-->3.8 height,	July,9,2013	RL



NOTES:
 Current Rating: 3.0AMP
 Contact Resistance: 20mΩ Max
 Withstand Voltage: 1000V AC/DC
 Insulation Resistance: 1000MΩ Min
 Operation Temperature: -40°C to +105°C
 Contact Material: Phosphor Bronze
 Contact plating: Au Or Sn over Ni
 Insulator Material: PA9T+30%G.F UL94V-0



Special CAP for 2*2P-2*4P

HOW TO ORDER

SA35 - D XX M XX - X - X

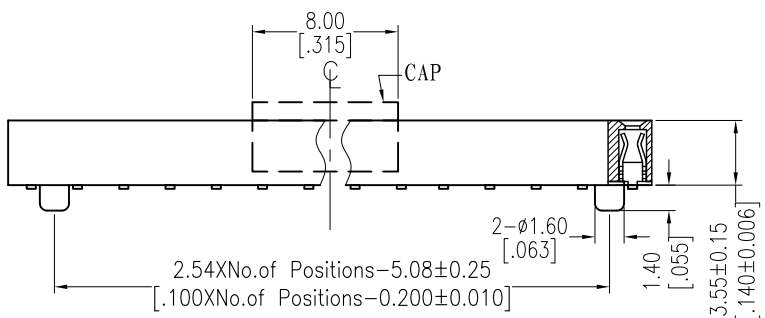
No. of Pins per Row: 02-40 Pins

1: W/Locating Peg
 0: W/O Locating Peg

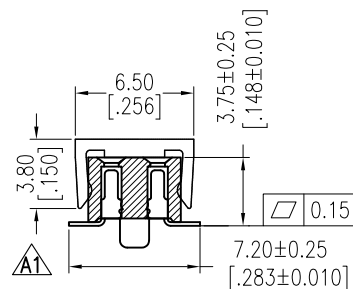
Plating Code

Package Type:
 A: Tray
 B: Tube
 C: W/Cap in Tube
 D: W/o Cap in Tape & Reel
 E: W/Film in Tube
 F: W/Film in Tape & Reel
 R: With Cap in Tape & Reel
 G: Bag

Full Gold Type	Selective Plated Type Gold Plated on Contact Area Tin Plated on Solder Area	Full Tin Type
00: Gold Flash	S0: Gold Flash, Tin 100u"	T1: Tin 100u"
01: Gold 3u"	S1: Gold 3u", Tin 100u"	T2: Tin 200u"
02: Gold 5u"	S2: Gold 5u", Tin 100u"	T3: Tin 150u"
03: Gold 10u"	S3: Gold 10u", Tin 100u"	MT: Matte Tin
04: Gold 15u"	S4: Gold 15u", Tin 100u"	
05: Gold 20u"	S5: Gold 20u", Tin 100u"	
06: Gold 30u"	S6: Gold 30u", Tin 100u"	

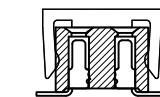


SECTION B-B



SECTION A-A

1: W/Locating Peg



0: W/O Locating Peg

ElectronAix

TOLERANCE:	PROJECTON		TITLE: 2.54mm Female Header Dual Row SMT Type H=3.5			
ANGLE ±3°	DATE	07-09-13'	PART NO: SA35-DXXMXX-X-X			
X.XXX ±0.15	DRAWN	JXL	REV: A			
X.XX ±0.25	CHECKED		UNIT:	SCALE:	SIZE:	
X.X ±0.40	APPROVED		mm	2:1	A4	
X. ±0.50						